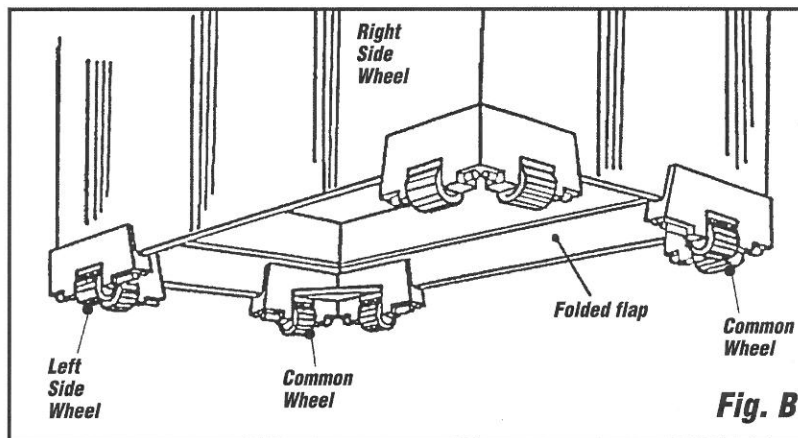
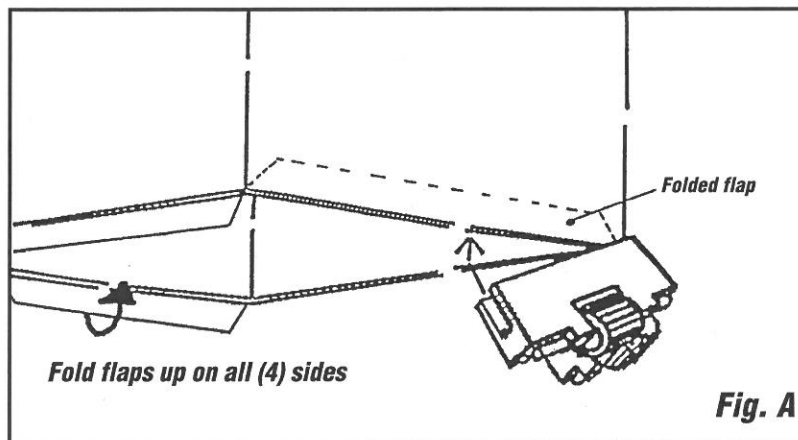


## ***Wheel position and installation instructions***



***First, fold bottom flaps up,***  
*Place corner of display bottom (fig. A) in corner of wheel unit and rotate (as shown) into position (as shown in fig. B).*