

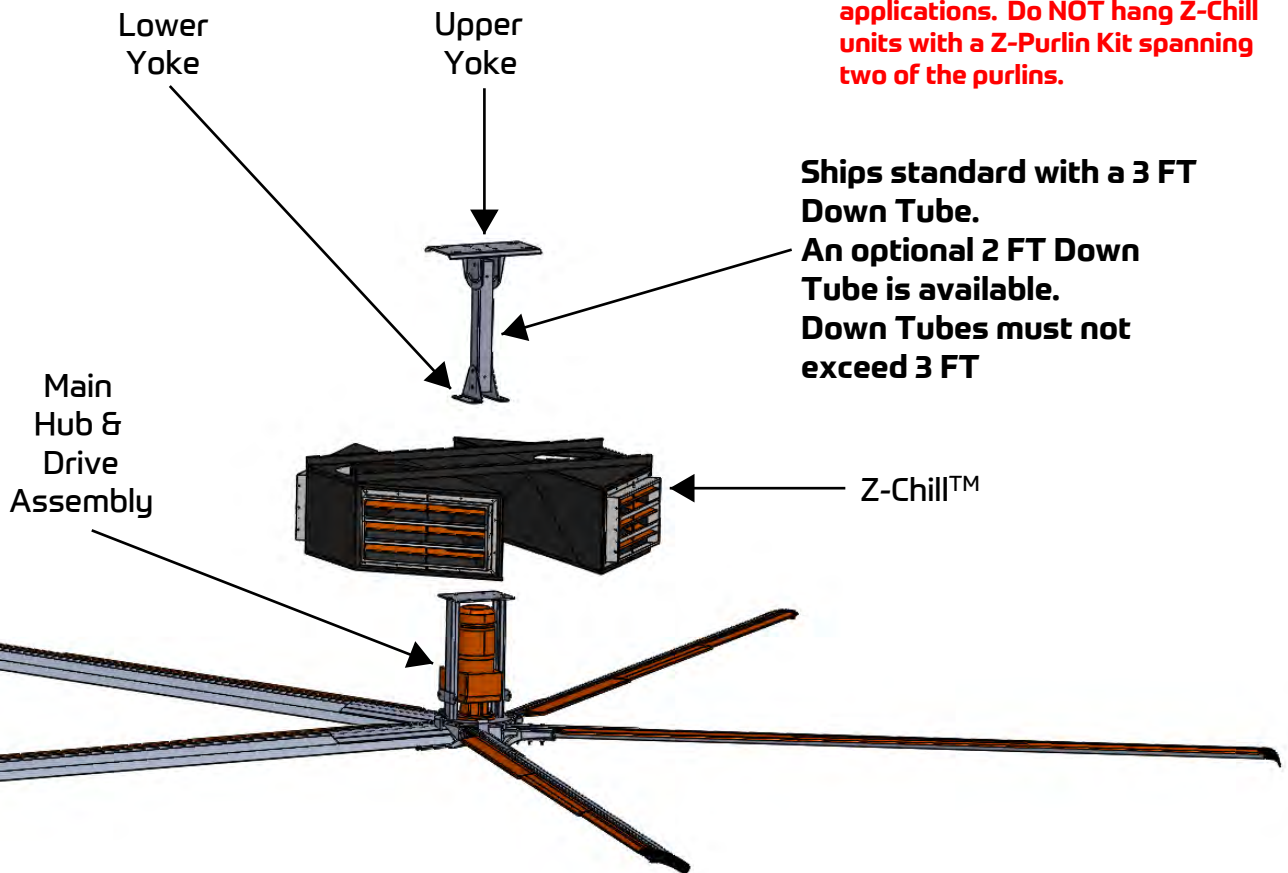
Z-CHILL™ INSTALLATION GUIDE

! Follow the Factory Mutual Insurance Company (FM Global) standards, Heating equipment manufacturer's guideline and safety standards such as those published by the National Fire Protection Association (NFPA), and the American Society for Heating, Refrigeration and Air Conditioning Engineers (ASHRAE), and local code authorities.

! Go Fan Yourself® recommends the Z-Chill™ system blowers be connected to the fire suppression system in addition to the Z-Tech™ fan.

- The Z-Chill™ System requires a minimum 2 FT Down Tube. If you are retrofitting this to an existing GFY® Z-Tech™ fan with the standard 1 FT Down Tube that Down Tube must be removed and replaced with a minimum 2 FT Down Tube as part of the retrofit process. See the Z-Tech™ installation manual for details.
- This manual contains information on the assembly of Z-Chill™ only. Please see the GFY® Z-Tech™ installation manual for all instructions regarding the fan.

NOTE: Z-Chill equipped Z-Tech fans must mount directly to the main beams with Z-Purlin applications. Do NOT hang Z-Chill units with a Z-Purlin Kit spanning two of the purlins.



- Your Z-Chill™ Kit consists of:
- (2) Louver Assemblies
 - (1) Mounting Plate
 - (1) Hardware Box (details on next page)
 - (1) Lower Safety Cable Extension Assembly

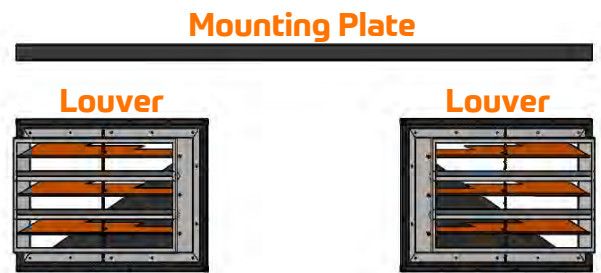
Z-CHILL™ INSTALLATION GUIDE

Assemble Z-Chill™:

- a) Once you have completed installation of the Down Tube and secured the Upper Safety Cable assemble the Z-Chill™ Louvers to the Mounting Plate using:
 - i) (8) 3/8"x16 x1" Grade 8 Hex Cap Screws
 - ii) (8) 3/8"x16 Grade 8 Nylock Nuts
 - iii) (16) 3/8" Yellow Zinc Washers
 - iv) (8) Washer Plates (these position inside the louver assembly to spread out the weight of the louver assembly on the hardware).

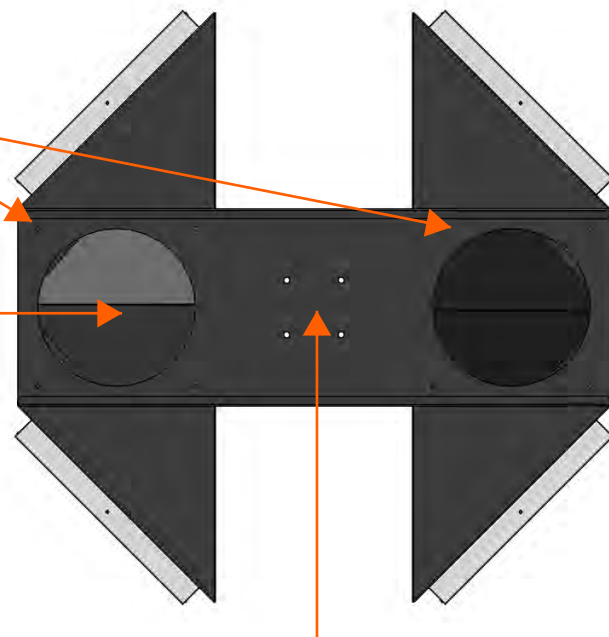
Refer to Steps 4 & 5, Figures 7,8,10, & 11, on pages 15 & 16 of the GFY® Z-Tech™ installation manual.

- 1) Place the Louver Assemblies and Mounting Plate so the large air duct holes and the (4) anchor holes align.
- 2) Secure the Louver Assemblies to the Mounting Plate using the hardware listed above.



Louver Anchor Holes (4) per Louver

Air Duct Hole



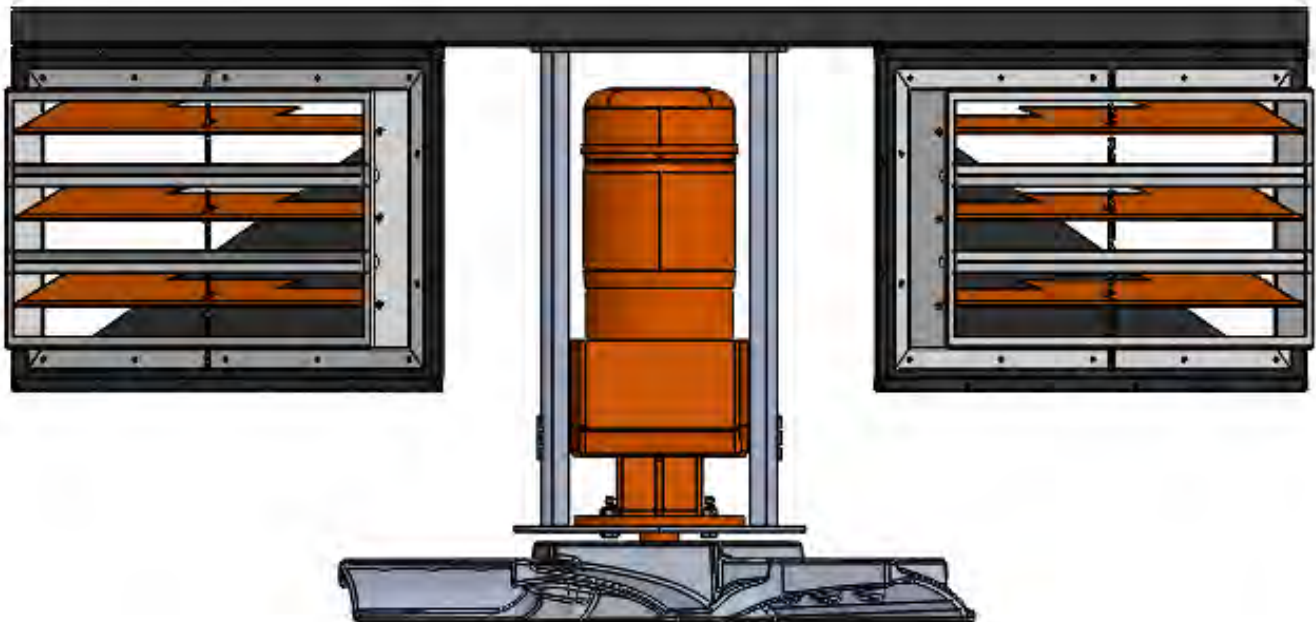
Z-Chill™ Assembly Anchor Holes

Suggested hardware assembly method:

- i) Take a Hex Cap Screw and place a Washer on it followed by a Washer Plate.
- ii) Run the Hex Cap Screw up through the Louver and Mounting Plate.
- iii) Secure in place with a Washer and Nylock Nut.

Z-CHILL™ INSTALLATION GUIDE

- 3) Loosely secure the assembled Z-Chill™ to the Main Hub & Drive Assembly:
 - a) With the Main Hub & Drive Assembly resting on a skid lift the assembled Z-Chill™ onto the Main Hub and Drive Assembly.
 - b) Be sure to align Z-Chill™ so the area between the Louvers is open to allow access to the motor power cover plate.
 - c) Loosely tighten the nuts to hold Z-Chill™ in place on the Main Hub and Drive Assembly using the hardware supplied with the fan to anchor the Main Hub and Drive Assembly to the Lower Yoke at the bottom of the Down Tube.
 - i) (4) 1/2"x13x1.5" Grade 8 Hex Cap Screw
 - ii) (8) 1/2" ASTM F436 Type 1 Mechanical Galvanized Steel Structural Flat Washer
 - iii) (4) 1/2"x13 Grade 5 Steel Nylock Nut
 - d) Bring the Lower Safety Cable Extension with you as you'll need it to secure the Lower Safety Cable of the Down Tube around the Z-Chill™ Mounting Plate and through the Motor Mount Bracket (reference the drawing on the next page).
- 4) Lift the Z-Chill™ System onto the lift using a forklift.
- 5) Raise into place beneath the Lower Yoke.



Z-CHILL™ INSTALLATION GUIDE

- 6) Align the Z-Chill™ System with the mounting holes in the Lower Yoke and secure with the hardware provided as listed on page 3 of this manual.
 - a) Reference GFY® Z-Tech™ installation manual page 12, Figure 13 and complete your fan installation per that manual.
- 7) Once Z-Chill™ is secured as part of the fan assembly use the Safety Cable Extension and secure the fan assembly to the Down Tube with the Lower Safety Cable. Reference figure 11 on page 16 of the Z-Tech™ Installation and Technical Operations Guide you received with your fan.

